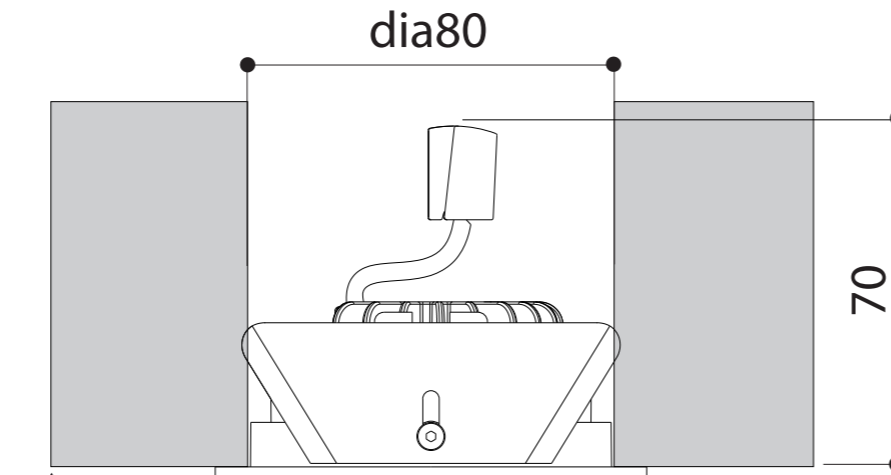


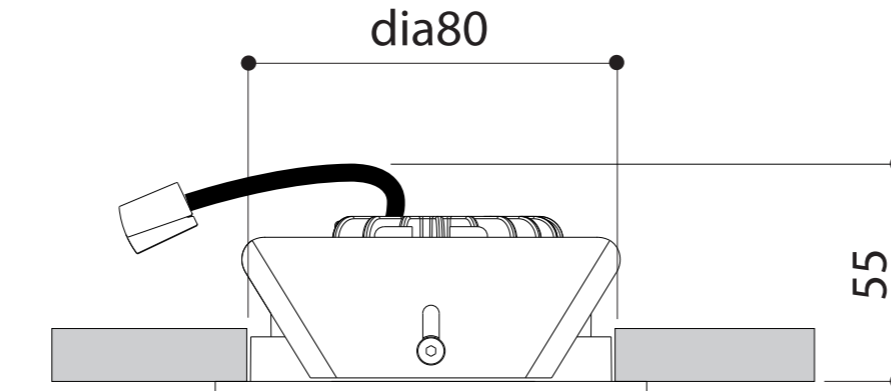
name	SOLID HALOLED			
ref	466047 SOLID ROUND HALOLED	2700K	TEXT. WHITE	Fig.1
	466026 SOLID ROUND HALOLED	2700K	TEXT. BLACK	Fig.1
	466008 SOLID ROUND HALOLED	2700K	BRUSHED ALU	Fig.1
	466147 SOLID ROUND MOBY HALOLED	2700K	TEXT. WHITE	Fig.2
	466126 SOLID ROUND MOBY HALOLED	2700K	TEXT. BLACK	Fig.2
	466108 SOLID ROUND MOBY HALOLED	2700K	BRUSHED ALU	Fig.2
	466247 SOLID SQUARE HALOLED	2700K	TEXT. WHITE	Fig.3
	466226 SOLID SQUARE HALOLED	2700K	TEXT. BLACK	Fig.3
	466208 SOLID SQUARE HALOLED	2700K	BRUSHED ALU	Fig.3
	466347 SOLID SQUARE MOBY HALOLED	2700K	TEXT. WHITE	Fig.4
	466326 SOLID SQUARE MOBY HALOLED	2700K	TEXT. BLACK	Fig.4
	466308 SOLID SQUARE MOBY HALOLED	2700K	BRUSHED ALU	Fig.4
	466057 SOLID ROUND HALOLED	3000K	TEXT. WHITE	Fig.1
	466036 SOLID ROUND HALOLED	3000K	TEXT. BLACK	Fig.1
	466018 SOLID ROUND HALOLED	3000K	BRUSHED ALU	Fig.1
	466157 SOLID ROUND MOBY HALOLED	3000K	TEXT. WHITE	Fig.2
	466136 SOLID ROUND MOBY HALOLED	3000K	TEXT. BLACK	Fig.2
	466118 SOLID ROUND MOBY HALOLED	3000K	BRUSHED ALU	Fig.2
	466257 SOLID SQUARE HALOLED	3000K	TEXT. WHITE	Fig.3
	466236 SOLID SQUARE HALOLED	3000K	TEXT. BLACK	Fig.3
466218 SOLID SQUARE HALOLED	3000K	BRUSHED ALU	Fig.3	
466357 SOLID SQUARE MOBY HALOLED	3000K	TEXT. WHITE	Fig.4	
466336 SOLID SQUARE MOBY HALOLED	3000K	TEXT. BLACK	Fig.4	
466318 SOLID SQUARE MOBY HALOLED	3000K	BRUSHED ALU	Fig.4	
fig.1		fig.2		
fig.3		fig.4		
safe distance to object	- 0,1m -			
lamptype	LUXEON M (ct=2700K/3000K, cri=80, sdcm=3, lm=725)			
fitting	None			
watt	7,84W			
amperage - current	Max. 700mA DC (Vf =11.2V)			
symbol				
gear	Converter not incorporated			
ip/class	IP20			
application	Interior - ceiling mounted			
orientability	only for MOBY: 360° rotating, 20° tilting			
dimmability	PWM dimmable			
weight	0.2			

① MAKE HOLE DIA 80mm (all models)

Leaf (for all ceiling types):



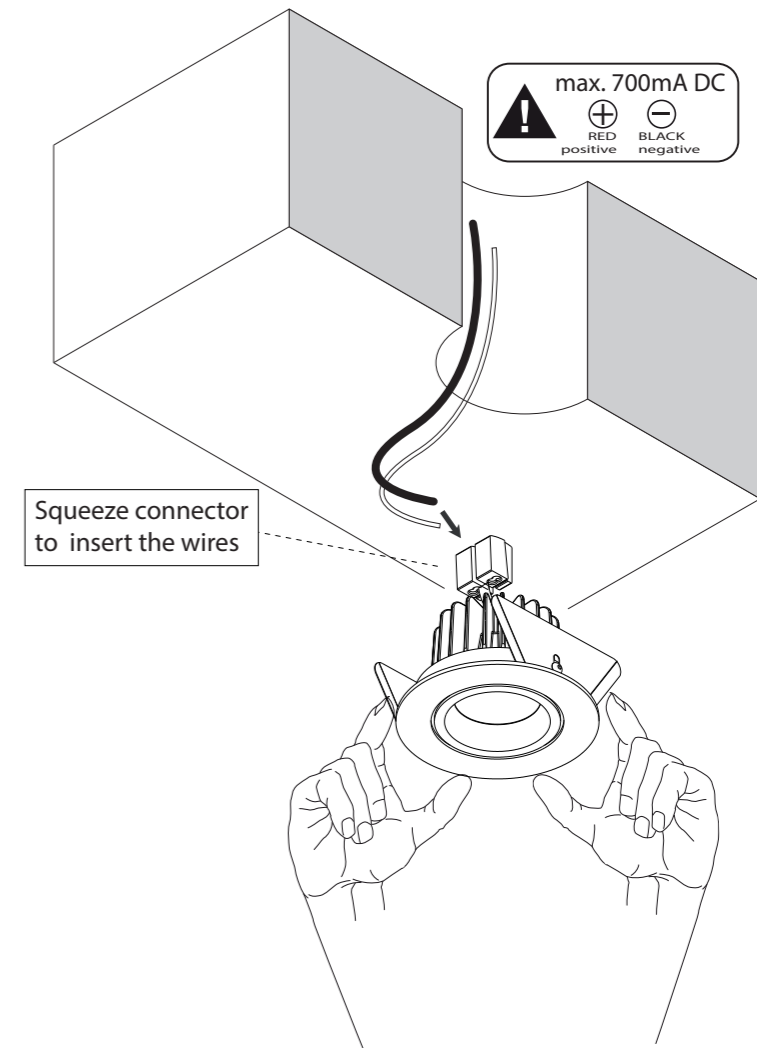
MIN. INSTALLATION DEPTH IN SOLID CEILINGS: 70mm



MIN. INSTALLATION DEPTH IN HOLLOW CEILINGS: 55mm

ALWAYS DISCONNECT MAINS POWER SUPPLY FROM CONVERTER BEFORE SWITCHING "ON" LED LUMINAIRES TO PREVENT HOT PLUGGING ISSUES

② MAKE CONNECTION IN TERMINAL BLOCKS (MAKE SURE POWER SUPPLY IS SWITCHED OFF)



③ PUSH LUMINAIRE GENTLY INTO HOLE BY DEFORMING 2 LEAF SPRINGS INWARDS BY HAND

④ SWITCH ON MAINS POWER SUPPLY

